

# Astronaut CL

Classroom & Projector Audio

Fact Sheet

## Total Classroom Sound Enhancement

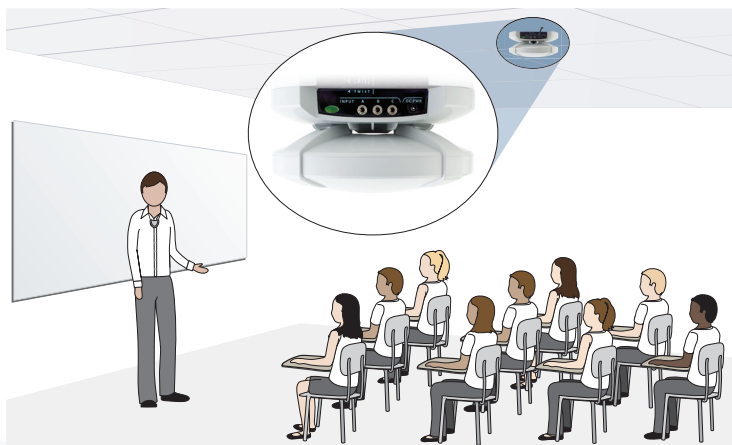
The CL is an elegantly designed, single-speaker solution for complete classroom-wide sound enhancement. From voice instruction to multimedia presentations, the CL's patented Astronaut technology ensures correct and intelligible audio which leads to improved student comprehension and learning. Combined with the most innovative and simple installation system on the market, the CL promises cost-effectiveness and superior performance.

### Product Features

- Proven Astronaut electronics provide up to 1,500 sq. ft. of soundfield coverage
- Pre-equalized for superior speech intelligibility
- 3-channel mixer for projector, microphone, DVD, iPod®, computer, or whiteboard
- 40 watts of classroom-wide sound enhancement
- Simple below the ceiling installation with bracket
- ENERGY STAR® power and internationally certified

### Simple and Secure Installation

The included bracket allows quick and easy mounting to the ceiling.



### System Includes

- Astronaut CL Speaker
- Ceiling Mount Kit
- ENERGY STAR® Power Supply

*Astronaut series products are covered by multiple patents that are registered or under license to Cetacea Sound Corp.*



**Cetacea Sound**  
Technical Audio for the 21<sup>st</sup> Century Classroom



© 2011 Cetacea Sound Corp. All Rights Reserved.  
Astronaut™ is a trademark of Cetacea Sound Corp.  
(800) 556-1922 sales@cetaceasound.com www.cetaceasound.com  
All audio products are proudly made in the U.S.A.  
11/11 201012-005

iPod® is a registered trademark of Apple Inc.



## Improved Student Learning

Astronaut technology sets the standard for speech intelligibility and word recognition in the classroom. Our patented audio designs have improved training and presentations for 15 years.

## Energy-Efficient Audio Technology

Patented Astronaut technology uses 75% less energy than other sound systems with the same performance without sacrificing loudness. In addition, Astronaut series speakers meet the new, and very stringent, California Energy Conservation standards. Now that is what we call *Lite-Energy™*!



PROUD TO BE green



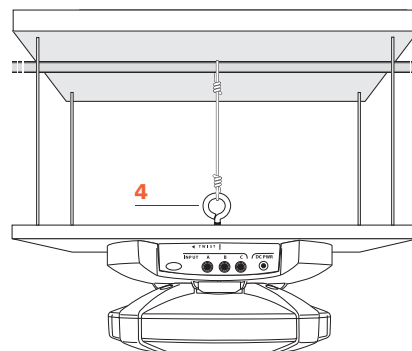
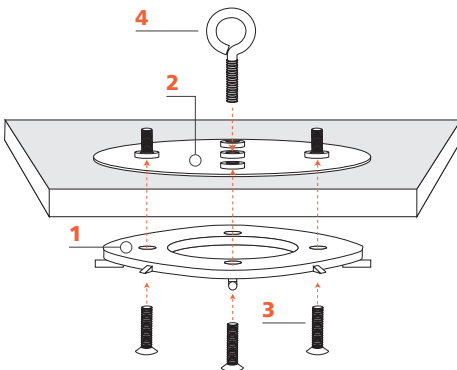
## Ordering Information

Choose from 3 Astronaut CL packages for standard and short throw projector installations. Additionally, we offer an extensive assortment of plenum rated and optional length power cords for custom installations. Contact us by phone or email for more details.

PART LIST	STANDARD INSTALLATIONS		SHORT THROW PROJECTORS
Astronaut CL Speaker	✓	✓	✓
Ceiling Mount Kit	✓	✓	✓
Wall Mount Power Supply	✓		✓
Desktop Power Supply		✓	
Extension Cord (30 ft)			✓
SKU #	<b>ASTRO-CLW001</b>	<b>ASTRO-CLD001</b>	<b>ASTRO-CLR001</b>

## Ceiling Mount Kit with Security Bracket

Astronaut series speakers come standard with a ceiling mount kit for simple installation to hard or false ceilings. Eye bolt security prevents unwanted removal of the Astronaut from below the ceiling.



- 1 Mounting Bracket
- 2 Ceiling Plate
- 3 Ceiling Bracket Bolts (4)
- 4 Eye Bolt

## System Specifications

### Electrical

#### Signal Connections

3 input jacks, 3.5 mm, mono-stereo with auto detection and mix-down

#### Input Impedance

62k ohms

#### Amplifier Power/Requirements

40W TSP

15 VDC / 15W

#### Power Supply

Part # FW-PSE1515W (Wall Mount) or FW-PSE1515D (Desktop)

Switch mode, low noise, high efficiency wall or desktop style

Voltage input: 100-240 V, 50/60 Hz

Voltage output: 15 VDC

- 85% efficient
- Fuse and over-temp protection (80 degrees centigrade)
- Regulation +/- 5%
- Ripple and noise less than 1%
- Overload and over-voltage protection
- Short circuit protection with auto-recovery
- CEC Level IV compliant
- < 0.25W stand-by power consumption
- Approvals: UL, cUL, TUV, PSE, CSA, CCC, BEAB

### Acoustics

- Omnidirectional horn with ceiling acoustic coupling (patented)
- Magnetically shielded custom Audiophile® transducer (patented)
- Custom tuned cabinet (patent applied for)
- Custom tuned port

### Performance

#### Frequency Response

70-15 kHz @ -3 dB

#### Signal to Noise Ratio

>90 dB

#### Loudness

87 dB

#### Port Tuning

90 Hz

### Mechanical

#### System Dimensions

Diameter – 7.2"

Height – 3.5"

#### System Weight

17.5 ounces (.5 kg)

#### Power Supply Dimensions

Wall Mount and Desktop – 4.33" x 2.07" x 1.44"

#### Power Supply Weight

Wall Mount and Desktop – 8 ounces

AC cord (if needed) – 8 ounces

#### Power Cord

- Standard CEC certified wall mount power supply – 6' reach with tuning fork barrel connector
- Optional CEC certified desktop style power supply – AC power cord and attached output cord with tuning fork barrel connector AC input style plug IEC-320, C-8

### Warranty

Full two years on all components