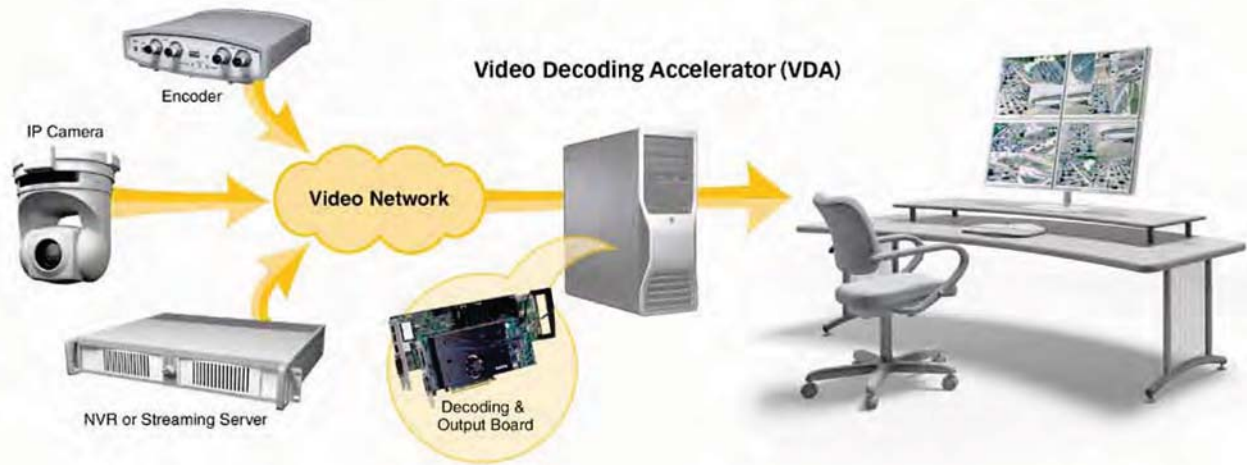


# Matrox Video Decoding Accelerator (VDA)

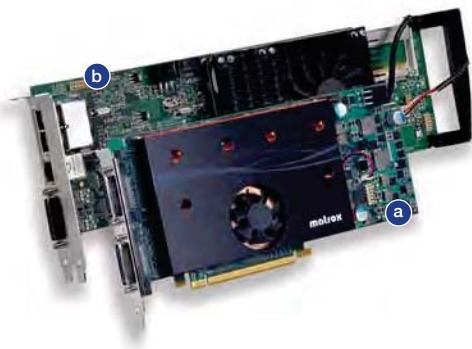
Accelerate IP video decoding. Offload the CPU.  
Maximize system responsiveness.

Matrox VDA is a graphics board set designed specifically for operator workstations in high-risk, large scale surveillance installations where preventative live-monitoring of multiple IP streams at full frame-rates is required. Complex monitoring applications for transportation, city surveillance, casinos, and industrial automation are among the areas where the current IP decoding burden typically requires multiple workstations. With Matrox VDA installed, a single workstation can decode and simultaneously display up to 16 4CIF (or 16 D1) IP streams at full 30fps across four displays.



## Matrox VDA-1164

The VDA-1164 consists of two boards: a full HD quad-output PCIe x16 board, and an IP video decoder PCI board



**a. Quad Output Board Displays Multiple Streams at Full Frame Rate**

Display multiple individual streams at full frame rate, in native resolution with 1:1 scaling on up to four high-definition (quad HD) displays—without compromising the quality of the imagery or dropping any frames.

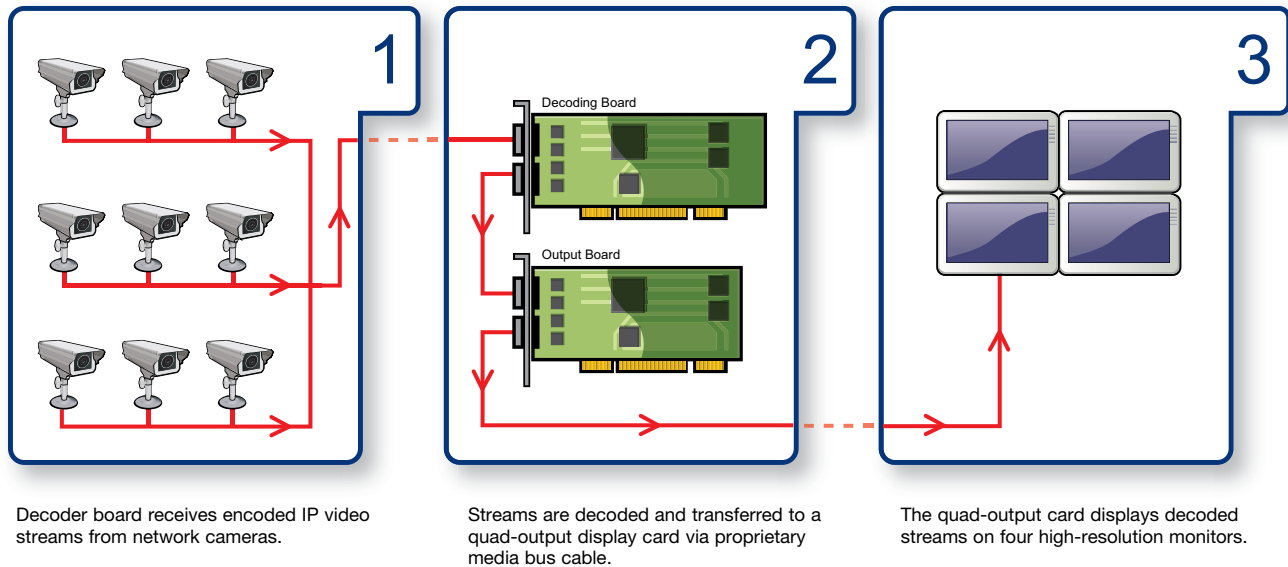
**b. IP Video Decoder Board Offloads the Host Computer**

Offload the video decoding burden from the host CPU and enable it to focus on other tasks such as access control, system configuration, and situation management. Use the CPU to decode additional video streams or free the CPU to maximize system response time to alarms and operator interactions.

## Fidelity and Performance Without Compromise

The VDA-1164 is capable of decoding and displaying at full frame rate up to 16 D1\* streams with superior image quality and no dropped frames. This, along with support for IP cameras and encoders from many major manufactures, results in a unique solution with unparalleled performance and flexibility.

\* Performance dependent on codec and camera type.



## A Flexible Solution for Security Software Vendors, Solution Integrators, and OEMs

The VDA-1164 has been engineered for quick integration of new network devices with different codecs to help respond to each project's unique requirements and to future-proof surveillance installations. An easy-to-use SDK is available to allow security software vendors to enable VDA support, providing even further flexibility for custom integration and the opportunity to offer additional competitive advantages within their software.

## Specifications

Streaming Resolution Support	Codec Support	Native IP Cameras & Encoders Support*			VMS Support**
Mega-pixel	MJPEG	ACTi	Indigovision	Sony	Milestone
D1	MPEG-1	ATEME	Lanaccess	Synectics	
4CIF	MPEG-2	Axis Communications	Mavix	Teracue	
VGA	MPEG-4	Bosch	Mobotix	Truen	
CIF	H.264	Canon	Optelecom-NKF	VBrick	
Custom formats	WMV	Comerson	Panasonic	Vivotek	
	Custom formats	Dallmeier	Siemens Building Technologies		

\* IP camera and encoder support is VMS independent. Support for new devices and other manufacturers added frequently. Visit [www.matrox.com/graphics](http://www.matrox.com/graphics) or contact us for an updated list.

\*\* Extended IP Cameras and Encoders support through VMS partners.

## Learn More or Purchase

Matrox Graphics offers a wide range of specialized graphics solutions for professional markets such as finance, digital media, medical imaging, and enterprise computing. For more information about the entire Matrox Graphics product line, visit [www.matrox.com/graphics](http://www.matrox.com/graphics). To locate the local office nearest to you, visit [www.matrox.com/graphics/contact](http://www.matrox.com/graphics/contact). For product support, contact your Matrox representative or visit [www.matrox.com/graphics/support](http://www.matrox.com/graphics/support).

North America Corporate Headquarters: 1 800-361-1408 or 514-822-6000  
 United Kingdom: +44 (0) 1895 827260  
 Deutschland: +49 89 62170-444  
 Email: [graphics@matrox.com](mailto:graphics@matrox.com)

© 2010 Matrox Graphics, Inc. All rights reserved. Matrox reserves the right to change specifications without notice. Matrox and Matrox product names are registered trademarks in Canada or other countries and/or trademarks of Matrox Electronic Systems, Ltd and/or Matrox Graphics Inc. All other company and product names are registered trademarks and/or trademarks of their respective owners. \$GE-5440-D July 2010

**matrox**<sup>®</sup>  
 Graphics for Professionals